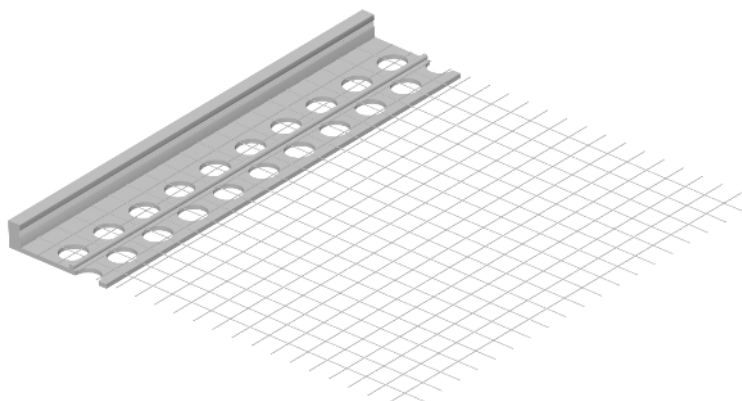


external stop bead 6 L



- enables connection of varicolored plasters or paints
- enables time-differentiated plaster implementation
- reaching of an even plaster coating
- shortening of time of finishing work

Material	Dimension	Ordering No.	Length	Packing
	mm		m	pcs
PVC	6	D/17.4	2,0	25
PVC	6	D/17.5	2,5	25

Recommendation:

In principle, these profiles are used only for thermal insulation purposes. Larger plastered areas need to be divided into smaller sections using dilatations.

Storage:

A horizontal storage position is recommended. The profiles need to be stored in a dry place. Maximum recommended storage time is 24 months.