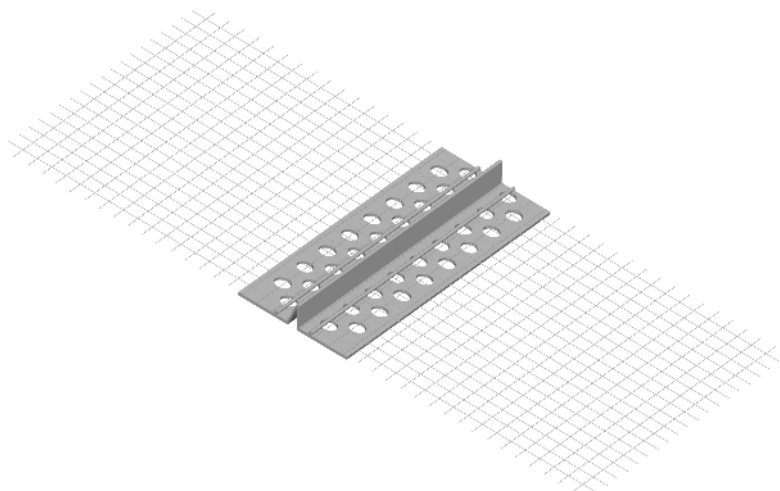


# screed 6 with glass fibre mesh



- this is a universal profile that may be used with all of thermal insulation types
- the profile defines a dividing line of varicolored plasters on a single surface

Material	Dimension	Ordering No.	Length	Packing
	mm		m	pcs
PVC	6	D/11	2,5	40

### Recommendation:

The part is applied as far as under the last plaster decorative layer.

### Storage:

A horizontal storage position is recommended. The profiles need to be stored in a dry place. Maximum recommended storage time is 24 months.